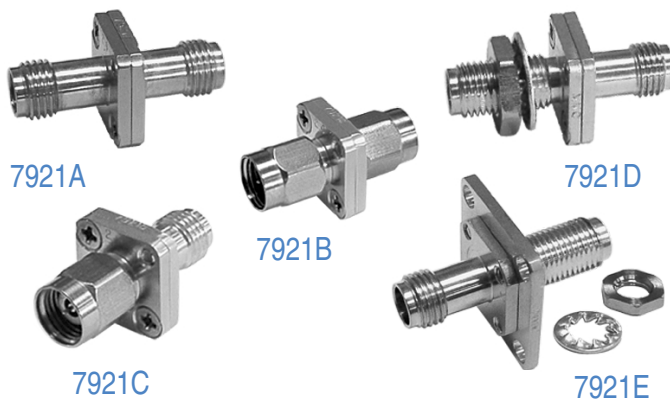
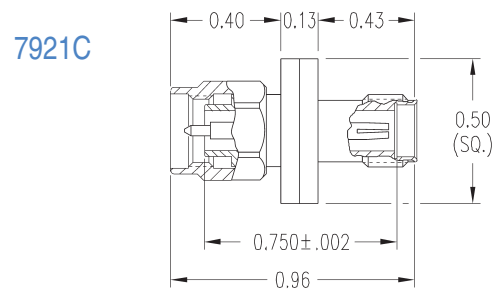
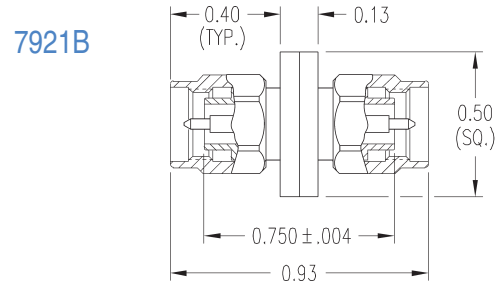
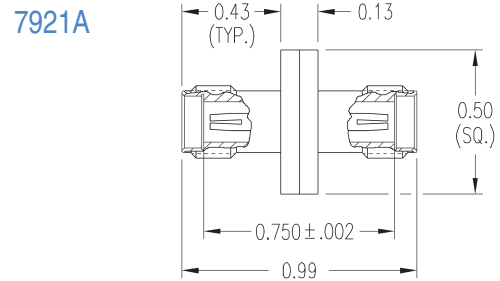


2.4mm In-Series Adapters

Models 7921A/B/C/D/E



Dimensions – Inches (cm)



Description

Maury precision 2.4mm in-series adapters are low VSWR and low loss devices that operate from DC to 50 GHz. The models 7921A, B and C offer combinations for in-series adapting and are phase matched, making them ideal for use in precision measurement applications. These adapters are minimum length and feature a square-flanged body for ease of connecting that also prevents them from rolling off flat surfaces. They are useful as “test port savers” when used with automated network analyzers such as the Agilent 8510, etc. The models 7921D and E are bulk-head and panel mount feedthru adapters respectively, and are designed for instrumentation applications.

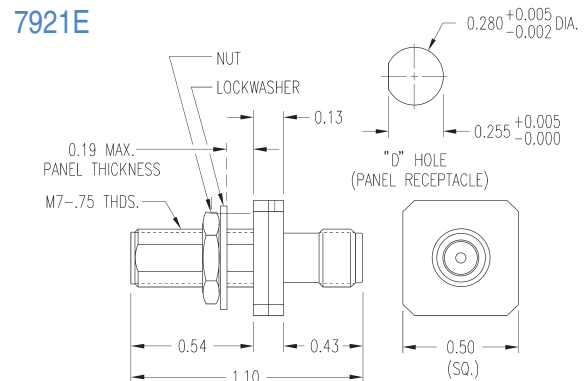
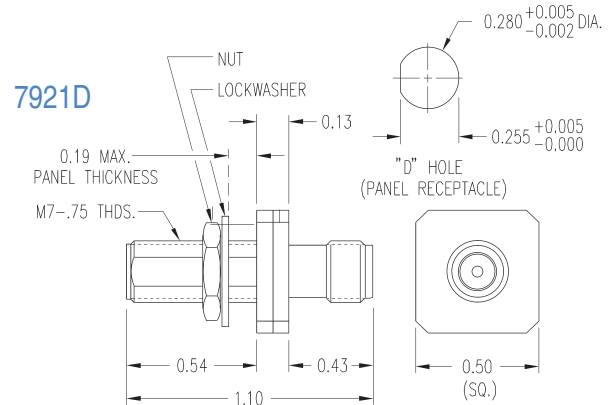
Specifications

Frequency Range	DC – 50 GHz
Maximum VSWR	DC – 26.5 GHz, 1.06
	26.5 – 40.0 GHz, 1.10
	40.0 – 50.0 GHz, 1.15
Impedance	50 ohm
Connectors	2.4mm per Maury data sheet 5E-064

Available Models

MODEL	ADAPTS		INSERTION LENGTH	
	SIDE A	SIDE B	INCHES	(CM)
7921A	2.4mm female ¹	2.4mm female ¹	0.75	(1.905)
7921B	2.4mm male ¹	2.4mm male ¹	0.75	(1.905)
7921C	2.4mm female ¹	2.4mm male ¹	0.75	(1.905)
7921D	2.4mm female ¹	2.4mm female ¹	0.86	(2.18)
7921E	2.4mm female ¹	2.4mm female ¹	0.86	(2.18)

¹ Precision 2.4mm per Maury data sheet 5E-064.



Key Literature: Maury data sheet 2B-001.